

N-benzyl-2-(3-chloro-4-hydroxyphenyl)acetamide

Author

Davis, Rohan A, Healy, Peter C

Published

2010

Journal Title

Acta crystallographica. Section E, Structure reports online

DOI

[10.1107/S1600536810035397](https://doi.org/10.1107/S1600536810035397)

Rights statement

© The Author(s) 2010. For information about this journal please refer to the journal's website. All articles published in Acta Crystallographica Section E are open access and distributed under the Creative Commons Attribution License, which permits unrestricted use, distribution, and reproduction in any medium, provided the original work is properly cited. See <http://creativecommons.org/licenses/by/2.0/uk/legalcode>

Downloaded from

<http://hdl.handle.net/10072/34435>

Griffith Research Online

<https://research-repository.griffith.edu.au>

Acta Crystallographica Section E

Structure Reports

Online

ISSN 1600-5368

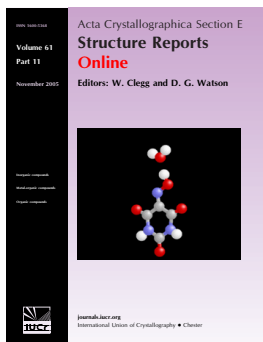
Editors: W.T.A. Harrison, J. Simpson and M. Weil

N-Benzyl-2-(3-chloro-4-hydroxyphenyl)acetamide

Rohan A. Davis and Peter C. Healy

Acta Cryst. (2010). E66, o2521

This open-access article is distributed under the terms of the Creative Commons Attribution Licence <http://creativecommons.org/licenses/by/2.0/uk/legalcode>, which permits unrestricted use, distribution, and reproduction in any medium, provided the original authors and source are cited.



Acta Crystallographica Section E: Structure Reports Online is the IUCr's highly popular open-access structural journal. It provides a simple and easily accessible publication mechanism for the growing number of inorganic, metal-organic and organic crystal structure determinations. The electronic submission, validation, refereeing and publication facilities of the journal ensure very rapid and high-quality publication, whilst key indicators and validation reports provide measures of structural reliability. In 2007, the journal published over 5000 structures. The average publication time is less than one month.

Crystallography Journals **Online** is available from journals.iucr.org

N-Benzyl-2-(3-chloro-4-hydroxyphenyl)-acetamide

Rohan A. Davis^a and Peter C. Healy^{b*}

^aEskitis Institute for Cell and Molecular Therapies, Griffith University, Nathan, Brisbane 4111, Australia, and ^bSchool of Biomolecular and Physical Sciences, Griffith University, Nathan, Brisbane 4111, Australia

Correspondence e-mail: p.healy@griffith.edu.au

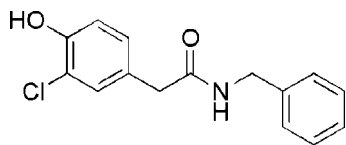
Received 1 September 2010; accepted 2 September 2010

Key indicators: single-crystal X-ray study; $T = 296$ K; mean $\sigma(\text{C}-\text{C}) = 0.003$ Å; R factor = 0.030; wR factor = 0.070; data-to-parameter ratio = 13.6.

The title compound, $\text{C}_{15}\text{H}_{14}\text{ClNO}_2$, was synthesized as part of a project to generate a combinatorial library based on the fungal natural product 2-(3-chloro-4-hydroxyphenyl)-acetamide. It crystallizes as non-planar discrete molecules [the peripheral 3-chloro-4-hydroxyphenyl and benzyl groups are twisted out of the plane of the central acetamide group, with $\text{N}-\text{C}-\text{C}$ and $\text{C}-\text{C}-\text{C}$ torsion angles of -58.8 (3) and 65.0 (2)°, respectively] linked by intermolecular $\text{N}-\text{H}\cdots\text{O}$ and $\text{O}-\text{H}\cdots\text{O}$ hydrogen bonds.

Related literature

For the preparation and characterization of the title compound, see: Poulsen *et al.* (2006); Davis *et al.* (2007). For the biological activity of the title compound, see: Davis *et al.* (2005, 2007). For background to organohalogen natural products, see: Gribble (1996). For related structures having the 3-chloro-4-hydroxyphenylacetamide moiety, see: Krohn *et al.* (1992); Davis *et al.* (2005); Davis & Healy (2008).



Experimental

Crystal data

$\text{C}_{15}\text{H}_{14}\text{ClNO}_2$
 $M_r = 275.72$
 Monoclinic, $P2_1$
 $a = 4.8255$ (2) Å
 $b = 10.8520$ (5) Å
 $c = 12.7701$ (6) Å
 $\beta = 96.055$ (4)°

$V = 664.99$ (5) Å³
 $Z = 2$
 Mo $K\alpha$ radiation
 $\mu = 0.28$ mm⁻¹
 $T = 296$ K
 $0.55 \times 0.40 \times 0.04$ mm

Data collection

Oxford-Diffraction Gemini S Ultra diffractometer
 Absorption correction: multi-scan (*CrysAlis PRO*; Oxford Diffraction, 2010)
 $T_{\min} = 0.859$, $T_{\max} = 0.989$
 4800 measured reflections
 2334 independent reflections
 1979 reflections with $I > 2\sigma(I)$
 $R_{\text{int}} = 0.020$

Refinement

$R[F^2 > 2\sigma(F^2)] = 0.030$
 $wR(F^2) = 0.070$
 $S = 0.96$
 2334 reflections
 172 parameters
 1 restraint
 H-atom parameters constrained
 $\Delta\rho_{\text{max}} = 0.13$ e Å⁻³
 $\Delta\rho_{\text{min}} = -0.15$ e Å⁻³
 Absolute structure: Flack (1983), 1098 Friedel pairs
 Flack parameter: -0.11 (6)

Table 1

Hydrogen-bond geometry (Å, °).

$D-\text{H}\cdots A$	$D-\text{H}$	$\text{H}\cdots A$	$D\cdots A$	$D-\text{H}\cdots A$
$\text{N1}-\text{H1}\cdots\text{O8}^i$	0.86	2.15	2.9262 (18)	150
$\text{O4}-\text{H4}\cdots\text{O8}^{ii}$	0.92	1.85	2.767 (2)	180

Symmetry codes: (i) $x + 1, y, z$; (ii) $-x - 1, y + \frac{1}{2}, -z + 1$.

Data collection: *CrysAlis CCD* (Oxford Diffraction, 2009); cell refinement: *CrysAlis RED* (Oxford Diffraction, 2009); data reduction: *CrysAlis RED*; program(s) used to solve structure: *SIR97* (Altomare *et al.*, 1999); program(s) used to refine structure: *SHELXL97* (Sheldrick, 2008); molecular graphics: *ORTEP-3 for Windows* (Farrugia, 1997); software used to prepare material for publication: *PLATON* (Spek, 2009).

We acknowledge financial support of this work by Griffith University, the Queensland University of Technology, the Eskitis Institute for Cell and Molecular Therapies and the Australian Research Council.

Supplementary data and figures for this paper are available from the IUCr electronic archives (Reference: TK2709).

References

- Altomare, A., Burla, M. C., Camalli, M., Cascarano, G. L., Giacovazzo, C., Guagliardi, A., Moliterni, A. G. G., Polidori, G. & Spagna, R. (1999). *J. Appl. Cryst.* **32**, 115–119.
- Davis, R. A. & Healy, P. C. (2008). *Acta Cryst.* **E64**, o1057.
- Davis, R. A., Pierens, G. K. & Parsons, P. G. (2007). *Magn. Reson. Chem.* **45**, 442–445.
- Davis, R. A., Watters, D. & Healy, P. C. (2005). *Tetrahedron Lett.* **46**, 919–921.
- Farrugia, L. J. (1997). *J. Appl. Cryst.* **30**, 565.
- Flack, H. D. (1983). *Acta Cryst.* **A39**, 876–881.
- Gribble, G. W. (1996). *Prog. Chem. Org. Nat. Prod.* **68**, 1–423.
- Krohn, K., Franke, C., Jones, P. G., Aust, H. J., Draeger, S. & Schulz, B. (1992). *Liebigs Ann. Chem.* pp. 789–798.
- Oxford Diffraction (2009). *CrysAlis CCD* and *CrysAlis RED*. Oxford Diffraction Ltd, Yarnton, England.
- Oxford Diffraction (2010). *CrysAlis PRO*. Oxford Diffraction Ltd, Yarnton, England.
- Poulsen, S. A., Davis, R. A. & Keys, T. G. (2006). *Bioorg. Med. Chem.* **14**, 510–515.
- Sheldrick, G. M. (2008). *Acta Cryst.* **A64**, 112–122.
- Spek, A. L. (2009). *Acta Cryst.* **D65**, 148–155.

supplementary materials

Acta Cryst. (2010). E66, o2521 [doi:10.1107/S1600536810035397]

N-Benzyl-2-(3-chloro-4-hydroxyphenyl)acetamide

R. A. Davis and P. C. Healy

Comment

The title compound (I) (Fig. 1) was synthesized during the generation of a combinatorial library based on the fungal natural product 3-chloro-4-hydroxyphenylacetamide and was shown to display moderate cytotoxicity towards the human melanoma cell line MM96L and the human prostate cell line DU145 with IC_{50} values of 72 and 51 μM respectively (Davis *et al.*, 2007). Although many organohalogen natural products have been identified (Gribble, 1996), only three crystal structures on compounds incorporating the 3-chloro-4-hydroxyphenylacetamide moiety have been reported to date (Krohn *et al.*, 1992; Davis *et al.*, 2005; Davis & Healy, 2008).

The present compound crystallizes in the chiral space group $P2_1$ as discrete molecules with the central C1—C7—C8(-O8)-N1—C9—C10 fragment approximately planar. The peripheral 3-chloro-4-hydroxyphenyl (C1—C7, O4, Cl3) and benzyl (C9—C15) groups are twisted out of the plane of the central acetamide group with N1—C9—C10—C11 and C2—C1—C7—C8 torsion angles of -58.8 (3) and 65.0 (2) $^\circ$, respectively (Fig. 1). In the crystal lattice the amide (N1) and hydroxy (O4) groups form inter-molecular N—H \cdots O and O—H \cdots O hydrogen bonds with the carbonyl O atoms (O8) at (1 + x , y , z) and ($-x - 1$, $y + 1/2$, $1 - z$), respectively (Table 1 & Fig. 2).

Experimental

Compound (I) was prepared and analytically and spectroscopically characterized as previously reported (Davis *et al.*, 2007; Poulsen *et al.*, 2006). Crystals suitable for X-ray diffraction studies were obtained by recrystallization from a solution of the compound in a solvent mix of 90% methanol, 10% water, and 0.1% trifluoroacetic acid.

Refinement

The carbon-bound H atoms were constrained as riding atoms with C—H = 0.93–0.96 Å. The amide and hydroxyl protons were located in difference Fourier maps and constrained with N—H 0.86 Å and O—H = 0.90 Å in the final refinement. $U_{iso}(H)$ values were set at $1.2U_{eq}$ of the parent atom.

Figures

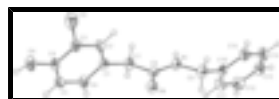


Fig. 1. View of (I) with the atom numbering scheme. Displacement ellipsoids for non-H atoms are drawn at the 30% probability level.



Fig. 2. View down the crystallographic *b* axis of the hydrogen bonding arrangement (dashed lines) and crystal packing for (I).

N-Benzyl-2-(3-chloro-4-hydroxyphenyl)acetamide

Crystal data

$C_{15}H_{14}ClNO_2$	$F(000) = 288$
$M_r = 275.72$	$D_x = 1.377 \text{ Mg m}^{-3}$
Monoclinic, $P2_1$	Mo $K\alpha$ radiation, $\lambda = 0.71070 \text{ \AA}$
Hall symbol: P 2yb	Cell parameters from 2771 reflections
$a = 4.8255 (2) \text{ \AA}$	$\theta = 3.2\text{--}32.2^\circ$
$b = 10.8520 (5) \text{ \AA}$	$\mu = 0.28 \text{ mm}^{-1}$
$c = 12.7701 (6) \text{ \AA}$	$T = 296 \text{ K}$
$\beta = 96.055 (4)^\circ$	Plate, colourless
$V = 664.99 (5) \text{ \AA}^3$	$0.55 \times 0.40 \times 0.04 \text{ mm}$
$Z = 2$	

Data collection

Oxford-Diffraction Gemini S Ultra diffractometer	2334 independent reflections
Radiation source: Enhance (Mo) X-ray Source graphite	1979 reflections with $I > 2\sigma(I)$
Detector resolution: $16.0774 \text{ pixels mm}^{-1}$	$R_{\text{int}} = 0.020$
ω and ϕ scans	$\theta_{\text{max}} = 25.0^\circ$, $\theta_{\text{min}} = 3.2^\circ$
Absorption correction: multi-scan (<i>CrysAlis PRO</i> ; Oxford Diffraction, 2010)	$h = -5 \rightarrow 5$
$T_{\text{min}} = 0.859$, $T_{\text{max}} = 0.989$	$k = -12 \rightarrow 12$
4800 measured reflections	$l = -15 \rightarrow 12$

Refinement

Refinement on F^2	Secondary atom site location: difference Fourier map
Least-squares matrix: full	Hydrogen site location: inferred from neighbouring sites
$R[F^2 > 2\sigma(F^2)] = 0.030$	H-atom parameters constrained
$wR(F^2) = 0.070$	$w = 1/[\sigma^2(F_o^2) + (0.0444P)^2]$
$S = 0.96$	where $P = (F_o^2 + 2F_c^2)/3$
2334 reflections	$(\Delta/\sigma)_{\text{max}} = 0.002$
172 parameters	$\Delta\rho_{\text{max}} = 0.13 \text{ e \AA}^{-3}$
1 restraint	$\Delta\rho_{\text{min}} = -0.15 \text{ e \AA}^{-3}$
	Absolute structure: Flack (1983), 1098 Friedel pairs

Primary atom site location: structure-invariant direct methods Flack parameter: -0.11 (6)

Special details

Experimental. CrysAlisPro (Oxford Diffraction, 2010). Empirical absorption correction using spherical harmonics, implemented in SCALE3 ABSPACK scaling algorithm.

Geometry. Bond distances, angles *etc.* have been calculated using the rounded fractional coordinates. All su's are estimated from the variances of the (full) variance-covariance matrix. The cell e.s.d.'s are taken into account in the estimation of distances, angles and torsion angles

Refinement. Refinement on F^2 for ALL reflections except those flagged by the user for potential systematic errors. Weighted R -factors wR and all goodnesses of fit S are based on F^2 , conventional R -factors R are based on F , with F set to zero for negative F^2 . The observed criterion of $F^2 > \sigma(F^2)$ is used only for calculating $-R$ -factor-obs *etc.* and is not relevant to the choice of reflections for refinement. R -factors based on F^2 are statistically about twice as large as those based on F , and R -factors based on ALL data will be even larger.

Fractional atomic coordinates and isotropic or equivalent isotropic displacement parameters (\AA^2)

	<i>x</i>	<i>y</i>	<i>z</i>	$U_{\text{iso}}^*/U_{\text{eq}}$
C13	-0.22153 (16)	0.10603 (6)	0.70233 (4)	0.0799 (3)
O4	-0.5174 (3)	0.33833 (14)	0.69050 (12)	0.0612 (6)
O8	-0.3412 (2)	0.08182 (14)	0.27899 (10)	0.0506 (5)
N1	0.0633 (3)	0.05425 (16)	0.21183 (12)	0.0452 (5)
C1	-0.1150 (4)	0.25973 (19)	0.42574 (15)	0.0386 (6)
C2	-0.1047 (4)	0.1808 (2)	0.51082 (16)	0.0449 (7)
C3	-0.2387 (4)	0.20842 (19)	0.59745 (15)	0.0452 (7)
C4	-0.3886 (4)	0.31713 (18)	0.60254 (15)	0.0431 (7)
C5	-0.3982 (4)	0.39584 (19)	0.51848 (17)	0.0480 (7)
C6	-0.2645 (4)	0.36758 (19)	0.43020 (16)	0.0469 (7)
C7	0.0273 (4)	0.2253 (2)	0.33001 (16)	0.0462 (7)
C8	-0.0977 (3)	0.1137 (2)	0.27214 (13)	0.0366 (6)
C9	-0.0319 (5)	-0.0518 (2)	0.14734 (18)	0.0568 (8)
C10	0.1377 (4)	-0.06951 (19)	0.05671 (16)	0.0412 (7)
C11	0.1558 (4)	0.0217 (2)	-0.01686 (18)	0.0577 (8)
C12	0.3073 (5)	0.0053 (2)	-0.10153 (19)	0.0663 (9)
C13	0.4390 (5)	-0.1045 (3)	-0.11432 (19)	0.0643 (9)
C14	0.4229 (5)	-0.1963 (2)	-0.04274 (19)	0.0660 (9)
C15	0.2735 (5)	-0.1792 (2)	0.04367 (18)	0.0531 (8)
H1	0.23170	0.07840	0.20990	0.0540*
H2	-0.00440	0.10590	0.50930	0.0540*
H4	-0.56440	0.41910	0.70050	0.0730*
H5	-0.49940	0.47080	0.52080	0.0570*
H6	-0.27380	0.42290	0.37290	0.0580*
H11	0.06190	0.09810	-0.00830	0.0710*
H12	0.31640	0.06970	-0.15180	0.0840*
H13	0.54640	-0.11580	-0.17020	0.0790*
H14	0.50880	-0.27320	-0.05200	0.0800*

supplementary materials

H15	0.26570	-0.24260	0.09380	0.0660*
H71	0.01580	0.29320	0.28310	0.0550*
H72	0.21760	0.20810	0.35260	0.0550*
H91	-0.22280	-0.03950	0.12110	0.0690*
H92	-0.01890	-0.12390	0.19040	0.0690*

Atomic displacement parameters (\AA^2)

	U^{11}	U^{22}	U^{33}	U^{12}	U^{13}	U^{23}
C13	0.1357 (6)	0.0590 (4)	0.0499 (3)	0.0134 (4)	0.0333 (3)	0.0106 (3)
O4	0.0733 (10)	0.0631 (10)	0.0523 (9)	0.0062 (8)	0.0312 (8)	-0.0102 (8)
O8	0.0325 (6)	0.0649 (11)	0.0572 (8)	-0.0121 (6)	0.0183 (6)	-0.0131 (7)
N1	0.0279 (7)	0.0588 (11)	0.0510 (10)	-0.0130 (7)	0.0142 (7)	-0.0190 (9)
C1	0.0343 (9)	0.0426 (11)	0.0406 (11)	-0.0076 (8)	0.0115 (8)	-0.0073 (9)
C2	0.0506 (11)	0.0393 (12)	0.0464 (12)	0.0077 (9)	0.0128 (9)	-0.0042 (10)
C3	0.0564 (12)	0.0425 (11)	0.0382 (11)	-0.0023 (9)	0.0124 (10)	-0.0009 (9)
C4	0.0439 (11)	0.0464 (12)	0.0409 (11)	0.0001 (9)	0.0140 (9)	-0.0086 (10)
C5	0.0495 (12)	0.0446 (12)	0.0515 (13)	0.0108 (9)	0.0133 (10)	-0.0059 (11)
C6	0.0550 (12)	0.0431 (12)	0.0440 (12)	-0.0021 (10)	0.0122 (10)	-0.0004 (10)
C7	0.0428 (10)	0.0524 (13)	0.0468 (11)	-0.0101 (10)	0.0201 (9)	-0.0079 (10)
C8	0.0304 (9)	0.0481 (11)	0.0325 (9)	-0.0038 (9)	0.0095 (7)	0.0021 (9)
C9	0.0489 (12)	0.0657 (15)	0.0591 (14)	-0.0192 (10)	0.0209 (11)	-0.0221 (12)
C10	0.0353 (10)	0.0465 (13)	0.0426 (11)	-0.0105 (9)	0.0075 (8)	-0.0099 (10)
C11	0.0580 (13)	0.0485 (14)	0.0683 (16)	0.0089 (11)	0.0151 (12)	0.0015 (12)
C12	0.0759 (16)	0.0680 (17)	0.0571 (15)	-0.0015 (13)	0.0172 (13)	0.0140 (13)
C13	0.0702 (15)	0.0805 (19)	0.0456 (13)	-0.0025 (13)	0.0221 (11)	-0.0122 (13)
C14	0.0833 (18)	0.0581 (16)	0.0593 (15)	0.0144 (12)	0.0209 (13)	-0.0156 (13)
C15	0.0693 (14)	0.0426 (13)	0.0482 (12)	-0.0012 (10)	0.0099 (10)	-0.0025 (10)

Geometric parameters (\AA , $^\circ$)

C13—C3	1.736 (2)	C10—C11	1.374 (3)
O4—C4	1.360 (2)	C11—C12	1.379 (3)
O8—C8	1.2368 (18)	C12—C13	1.368 (4)
O4—H4	0.9200	C13—C14	1.360 (4)
N1—C8	1.319 (2)	C14—C15	1.393 (3)
N1—C9	1.461 (3)	C2—H2	0.9500
N1—H1	0.8600	C5—H5	0.9500
C1—C7	1.511 (3)	C6—H6	0.9400
C1—C6	1.379 (3)	C7—H71	0.9500
C1—C2	1.380 (3)	C7—H72	0.9500
C2—C3	1.372 (3)	C9—H91	0.9600
C3—C4	1.389 (3)	C9—H92	0.9500
C4—C5	1.369 (3)	C11—H11	0.9600
C5—C6	1.391 (3)	C12—H12	0.9500
C7—C8	1.511 (3)	C13—H13	0.9300
C9—C10	1.499 (3)	C14—H14	0.9400
C10—C15	1.377 (3)	C15—H15	0.9400

C13...O4	2.8932 (17)	H1...O8 ^{vii}	2.1500
C13...C12 ⁱ	3.554 (2)	H1...C11	2.9500
C13...H12 ⁱⁱ	3.0800	H1...H72	2.3100
C13...H12 ⁱ	3.0600	H1...H4 ^{viii}	2.5500
C13...H15 ⁱⁱⁱ	3.1000	H2...C8	3.0200
O4...C13	2.8932 (17)	H2...C5 ^{viii}	3.0400
O4...O8 ^{iv}	2.767 (2)	H2...C6 ^{viii}	2.9600
O4...C9 ^{iv}	3.375 (3)	H4...H5	2.4100
O4...C9 ⁱⁱⁱ	3.403 (3)	H4...O8 ^{iv}	1.8500
O8...O4 ^v	2.767 (2)	H4...N1 ⁱⁱⁱ	2.9500
O8...N1 ^{vi}	2.9262 (18)	H4...C8 ^{iv}	2.7100
O8...C2	3.242 (2)	H4...C9 ^{iv}	2.9100
O4...H92 ⁱⁱⁱ	2.8900	H4...H1 ⁱⁱⁱ	2.5500
O4...H92 ^{iv}	2.8600	H5...H4	2.4100
O8...H72 ^{vi}	2.7800	H5...C2 ^{iv}	2.9700
O8...H91	2.5200	H6...H71	2.3600
O8...H1 ^{vi}	2.1500	H11...N1	2.8500
O8...H4 ^v	1.8500	H11...C15 ^{xii}	2.9200
N1...O8 ^{vii}	2.9262 (18)	H11...H14 ^x	2.5500
N1...H11	2.8500	H11...H15 ^{xii}	2.5100
N1...H4 ^{viii}	2.9500	H12...C13 ^{ix}	3.0600
C2...O8	3.242 (2)	H12...C13 ^{xiii}	3.0800
C9...O4 ^{viii}	3.403 (3)	H14...C11 ^{xiv}	2.8400
C9...O4 ^v	3.375 (3)	H14...H11 ^{xiv}	2.5500
C12...C13 ^{ix}	3.554 (2)	H15...H92	2.3300
C2...H5 ^v	2.9700	H15...C13 ^{viii}	3.1000
C5...H2 ⁱⁱⁱ	3.0400	H15...H11 ^{xi}	2.5100
C6...H2 ⁱⁱⁱ	2.9600	H71...H6	2.3600
C8...H4 ^v	2.7100	H72...O8 ^{vii}	2.7800
C8...H2	3.0200	H72...H1	2.3100
C9...H4 ^v	2.9100	H91...O8	2.5200
C11...H1	2.9500	H91...C14 ^{vi}	3.0700
C11...H14 ^x	2.8400	H91...C15 ^{vi}	2.9500
C14...H91 ^{vii}	3.0700	H92...H15	2.3300
C15...H91 ^{vii}	2.9500	H92...O4 ^v	2.8600
C15...H11 ^{xi}	2.9200	H92...O4 ^{viii}	2.8900
C4—O4—H4	115.00	C10—C15—C14	120.2 (2)
C8—N1—C9	123.03 (16)	C1—C2—H2	119.00
C8—N1—H1	119.00	C3—C2—H2	119.00
C9—N1—H1	118.00	C4—C5—H5	119.00
C2—C1—C6	118.01 (18)	C6—C5—H5	120.00
C2—C1—C7	120.12 (18)	C1—C6—H6	119.00

supplementary materials

C6—C1—C7	121.85 (18)	C5—C6—H6	120.00
C1—C2—C3	121.21 (19)	C1—C7—H71	109.00
C2—C3—C4	121.02 (19)	C1—C7—H72	108.00
C13—C3—C2	119.61 (16)	C8—C7—H71	109.00
C13—C3—C4	119.37 (15)	C8—C7—H72	108.00
O4—C4—C3	117.91 (17)	H71—C7—H72	110.00
O4—C4—C5	124.18 (18)	N1—C9—H91	109.00
C3—C4—C5	117.91 (18)	N1—C9—H92	109.00
C4—C5—C6	121.19 (19)	C10—C9—H91	109.00
C1—C6—C5	120.66 (19)	C10—C9—H92	109.00
C1—C7—C8	113.70 (16)	H91—C9—H92	109.00
O8—C8—C7	121.53 (16)	C10—C11—H11	119.00
O8—C8—N1	121.81 (18)	C12—C11—H11	120.00
N1—C8—C7	116.64 (15)	C11—C12—H12	120.00
N1—C9—C10	111.81 (18)	C13—C12—H12	120.00
C9—C10—C11	121.00 (19)	C12—C13—H13	121.00
C9—C10—C15	120.65 (19)	C14—C13—H13	120.00
C11—C10—C15	118.33 (19)	C13—C14—H14	120.00
C10—C11—C12	121.4 (2)	C15—C14—H14	119.00
C11—C12—C13	119.8 (2)	C10—C15—H15	120.00
C12—C13—C14	119.8 (2)	C14—C15—H15	120.00
C13—C14—C15	120.4 (2)		
C8—N1—C9—C10	156.64 (18)	C3—C4—C5—C6	0.6 (3)
C9—N1—C8—O8	1.0 (3)	O4—C4—C5—C6	-179.11 (18)
C9—N1—C8—C7	-177.14 (17)	C4—C5—C6—C1	-0.9 (3)
C6—C1—C2—C3	0.0 (3)	C1—C7—C8—O8	23.7 (3)
C7—C1—C2—C3	-178.18 (18)	C1—C7—C8—N1	-158.08 (17)
C2—C1—C6—C5	0.6 (3)	N1—C9—C10—C11	-58.8 (3)
C6—C1—C7—C8	-113.1 (2)	N1—C9—C10—C15	122.9 (2)
C2—C1—C7—C8	65.0 (2)	C9—C10—C15—C14	177.8 (2)
C7—C1—C6—C5	178.69 (18)	C11—C10—C15—C14	-0.5 (3)
C1—C2—C3—C4	-0.2 (3)	C9—C10—C11—C12	-178.8 (2)
C1—C2—C3—C13	179.67 (16)	C15—C10—C11—C12	-0.5 (3)
C13—C3—C4—O4	-0.2 (3)	C10—C11—C12—C13	1.2 (3)
C2—C3—C4—C5	-0.1 (3)	C11—C12—C13—C14	-0.9 (4)
C13—C3—C4—C5	-179.95 (15)	C12—C13—C14—C15	-0.1 (4)
C2—C3—C4—O4	179.67 (18)	C13—C14—C15—C10	0.8 (4)

Symmetry codes: (i) $x, y, z+1$; (ii) $x-1, y, z+1$; (iii) $-x, y+1/2, -z+1$; (iv) $-x-1, y+1/2, -z+1$; (v) $-x-1, y-1/2, -z+1$; (vi) $x-1, y, z$; (vii) $x+1, y, z$; (viii) $-x, y-1/2, -z+1$; (ix) $x, y, z-1$; (x) $-x+1, y+1/2, -z$; (xi) $-x, y-1/2, -z$; (xii) $-x, y+1/2, -z$; (xiii) $x+1, y, z-1$; (xiv) $-x+1, y-1/2, -z$.

Hydrogen-bond geometry ($\text{\AA}, ^\circ$)

$D-H\cdots A$	$D-H$	$H\cdots A$	$D\cdots A$	$D-H\cdots A$
N1—H1 \cdots O8 ^{vii}	0.86	2.15	2.9262 (18)	150
O4—H4 \cdots O8 ^{iv}	0.92	1.85	2.767 (2)	180

Symmetry codes: (vii) $x+1, y, z$; (iv) $-x-1, y+1/2, -z+1$.

Fig. 1

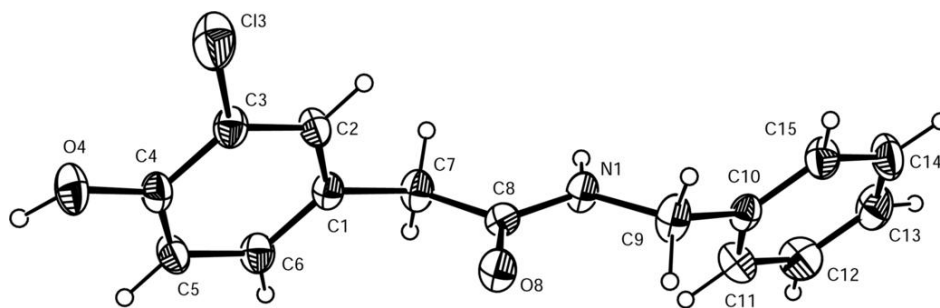


Fig. 2

